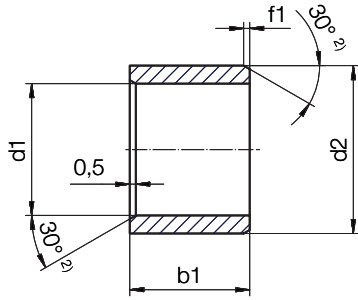


iglidur® A200 | 產品範圍

軸襯套 (型號 S)



²⁾ 厚度 < 1 mm : 導角 = 20°

倒角和 d1 的關係

d1 [mm]:	Ø 1-6	Ø 6-12	Ø 12-30	Ø > 30
f [mm]:	0.3	0.5	0.8	1.2

尺寸 [mm]

d1	d1-公差 ³⁾	d2	b1 h13	產品型號
1.0		3.0	2.0	ASM-0103-02
1.5		4.0	2.0	ASM-0104-02
2.0		5.0	2.0	ASM-0205-02
2.0	+0.020	5.0	3.0	ASM-0205-03
2.5	+0.080	6.0	3.0	ASM-0206-03
3.0		5.0	3.0	ASM-0305-03
3.0		5.0	4.0	ASM-0305-04
3.0		6.0	3.0	ASM-0306-03
3.0		6.0	4.0	ASM-0306-04
4.0		7.0	3.0	ASM-0407-03
4.0		7.0	4.0	ASM-0407-04
4.0		7.0	6.0	ASM-0407-06
4.0		8.0	6.0	ASM-0408-06
5.0		8.0	4.0	ASM-0508-04
5.0		8.0	5.0	ASM-0508-05
5.0		8.0	8.0	ASM-0508-08
5.0	+0.030	9.0	5.0	ASM-0509-05
5.0	+0.105	9.0	8.0	ASM-0509-08
6.0		8.0	10.0	ASM-0608-10
6.0		9.0	6.0	ASM-0609-06
6.0		10.0	4.0	ASM-0610-04
6.0		10.0	6.0	ASM-0610-06
6.0		10.0	10.0	ASM-0610-10
6.0		12.0	6.0	ASM-0612-06
6.0		12.0	10.0	ASM-0612-10
7.0		10.0	5.0	ASM-0710-05
7.0	+0.040	10.0	8.0	ASM-0710-08
8.0	+0.130	10.0	6.0	ASM-0810-06

³⁾ 按壓組裝後

測試方法 ▶ 頁碼 57

產品型號

類型 尺寸 [mm]

ASM_0103_02

iglidur® 材質	型號 S	公制	內徑 - Ø d1	外徑 - Ø d2	長度 b1
-------------	------	----	-----------	-----------	-------

i 尺寸符合 ISO 3547-1 標準
且提供特殊尺寸

inch 也可選用英制尺寸
▶ 見頁碼 1399

d1	d1-公差 ³⁾	d2	b1 h13	產品型號
8.0		10.0	8.0	ASM-0810-08
8.0		10.0	10.0	ASM-0810-10
8.0		11.0	8.0	ASM-0811-08
8.0		11.0	12.0	ASM-0811-12
8.0		12.0	6.0	ASM-0812-06
8.0		12.0	8.0	ASM-0812-08
8.0		12.0	10.0	ASM-0812-10
8.0		12.0	12.0	ASM-0812-12
8.0		14.0	6.0	ASM-0814-06
8.0	+0.040	14.0	10.0	ASM-0814-10
9.0	+0.130	12.0	14.0	ASM-0912-14
10.0		12.0	10.0	ASM-1012-10
10.0		14.0	6.0	ASM-1014-06
10.0		14.0	8.0	ASM-1014-08
10.0		14.0	10.0	ASM-1014-10
10.0		14.0	16.0	ASM-1014-16
10.0		16.0	6.0	ASM-1016-06
10.0		16.0	10.0	ASM-1016-10
10.0		16.0	16.0	ASM-1016-16
12.0		14.0	20.0	ASM-1214-20
12.0		16.0	15.0	ASM-1216-15
12.0		16.0	20.0	ASM-1216-20
12.0		18.0	8.0	ASM-1218-08
12.0	+0.050	18.0	10.0	ASM-1218-10
12.0	+0.160	18.0	15.0	ASM-1218-15
12.0		18.0	20.0	ASM-1218-20
14.0		16.0	10.0	ASM-1416-10
14.0		16.0	15.0	ASM-1416-15

軸襯套 (型號 S)

尺寸 [mm]

d1	d1- 公差 ³⁾	d2	b1 h13	產品型號	d1	d1- 公差 ³⁾	d2	b1 h13	產品型號
14.0		16.0	20.0	ASM-1416-20	22.0		28.0	10.0	ASM-2228-10
14.0		20.0	10.0	ASM-1420-10	22.0		28.0	15.0	ASM-2228-15
14.0		20.0	15.0	ASM-1420-15	22.0		28.0	20.0	ASM-2228-20
14.0		20.0	20.0	ASM-1420-20	22.0		28.0	30.0	ASM-2228-30
15.0		17.0	10.0	ASM-1517-10	24.0		30.0	15.0	ASM-2430-15
15.0		17.0	15.0	ASM-1517-15	24.0		30.0	20.0	ASM-2430-20
15.0		21.0	10.0	ASM-1521-10	24.0		30.0	30.0	ASM-2430-30
15.0		21.0	15.0	ASM-1521-15	25.0		28.0	12.0	ASM-2528-12
15.0		21.0	20.0	ASM-1521-20	25.0		28.0	20.0	ASM-2528-20
16.0	+0.050	18.0	12.0	ASM-1618-12	25.0		30.0	20.0	ASM-2530-20
16.0	+0.160	18.0	20.0	ASM-1618-20	25.0		30.0	30.0	ASM-2530-30
16.0		20.0	20.0	ASM-1620-20	25.0		30.0	40.0	ASM-2530-40
16.0		20.0	25.0	ASM-1620-25	25.0		32.0	20.0	ASM-2532-20
16.0		22.0	12.0	ASM-1622-12	25.0	+0.065	32.0	30.0	ASM-2532-30
16.0		22.0	15.0	ASM-1622-15	25.0	+0.195	32.0	40.0	ASM-2532-40
16.0		22.0	16.0	ASM-1622-16	26.0		30.0	20.0	ASM-2630-20
16.0		22.0	20.0	ASM-1622-20	26.0		32.0	30.0	ASM-2632-30
16.0		22.0	25.0	ASM-1622-25	27.0		34.0	20.0	ASM-2734-20
18.0		24.0	12.0	ASM-1824-12	27.0		34.0	30.0	ASM-2734-30
18.0		24.0	20.0	ASM-1824-20	27.0		34.0	40.0	ASM-2734-40
18.0		24.0	30.0	ASM-1824-30	28.0		33.0	20.0	ASM-2833-20
20.0		23.0	15.0	ASM-2023-15	28.0		36.0	20.0	ASM-2836-20
20.0		23.0	20.0	ASM-2023-20	28.0		36.0	30.0	ASM-2836-30
20.0		25.0	15.0	ASM-2025-15	28.0		36.0	40.0	ASM-2836-40
20.0	+0.065	25.0	20.0	ASM-2025-20	30.0		38.0	20.0	ASM-3038-20
20.0	+0.195	25.0	30.0	ASM-2025-30	30.0		38.0	30.0	ASM-3038-30
20.0		26.0	15.0	ASM-2026-15	30.0		38.0	40.0	ASM-3038-40
20.0		26.0	20.0	ASM-2026-20	32.0		40.0	20.0	ASM-3240-20
20.0		26.0	30.0	ASM-2026-30	32.0	+0.080	40.0	30.0	ASM-3240-30
22.0		26.0	15.0	ASM-2226-15	32.0	+0.240	40.0	40.0	ASM-3240-40

³⁾ 按壓組裝後

測試方法 ▶ 頁碼 57



沒有找到您要的尺寸？

您是否需要其他長度、尺寸或公差？您在尋找一個特殊的設計或取代您應用的其他解決方案？請與我們聯絡。易格斯傾聽您的需求，並在短時間內迅速為您提供解決方案。